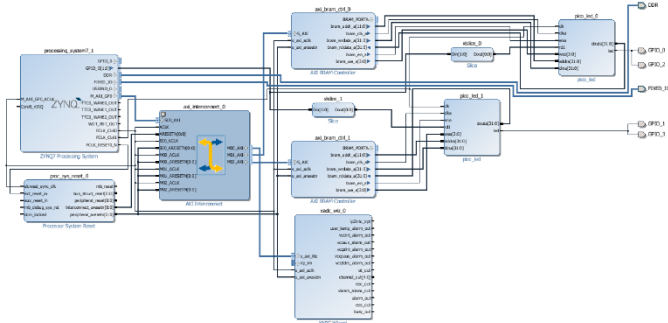


ADIUVO Engineering & Training Ltd

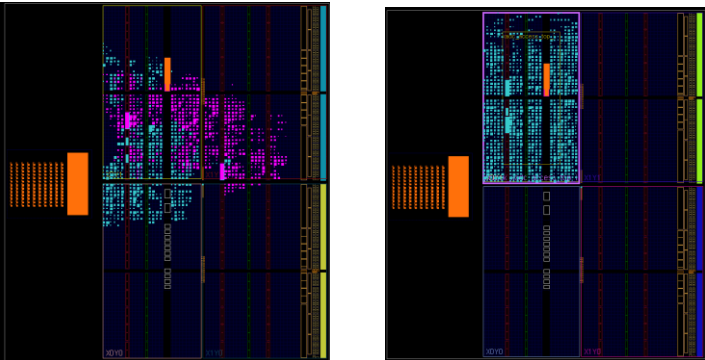
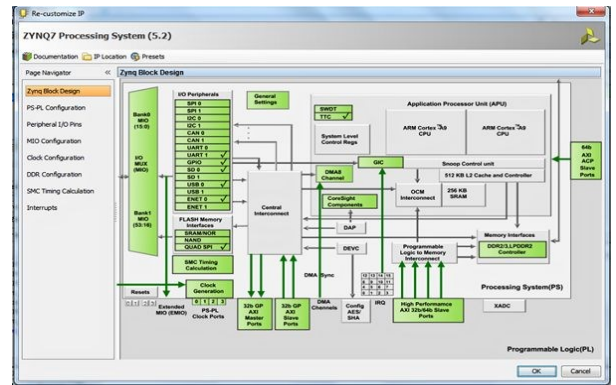
The Company behind the MicroZed Chronicles, the ultimate Xilinx Zynq Resource

Expertise Includes :-



Requirements Capture
FPGA Design and Development
SoC Design and Development
Digital Electronic Design
Analogue / Mixed Signal Design
Design for Space Flight

High Reliability Design (SIL 4)
Design Analysis
Signal Integrity
Power Analysis
TEMPEST
Single Event Effect – Mitigation



Algorithms / Interfaces

QDR / DDR3
Non Uniformity Correction
Transcendental Functions
FIR Filters
FFT
CORDIC
Transfer Functions
State Machine
Multi Giga Bit Links

How ADIUVO can help you

FPGA / SoC Design
FPGA Module Design
Independent Module Verification
Independent Peer Reviews
Technology Road Map development
Contact
Bespoke Training Courses

Adam@adiuvoengineering.com

A UK Registered Company 9350139